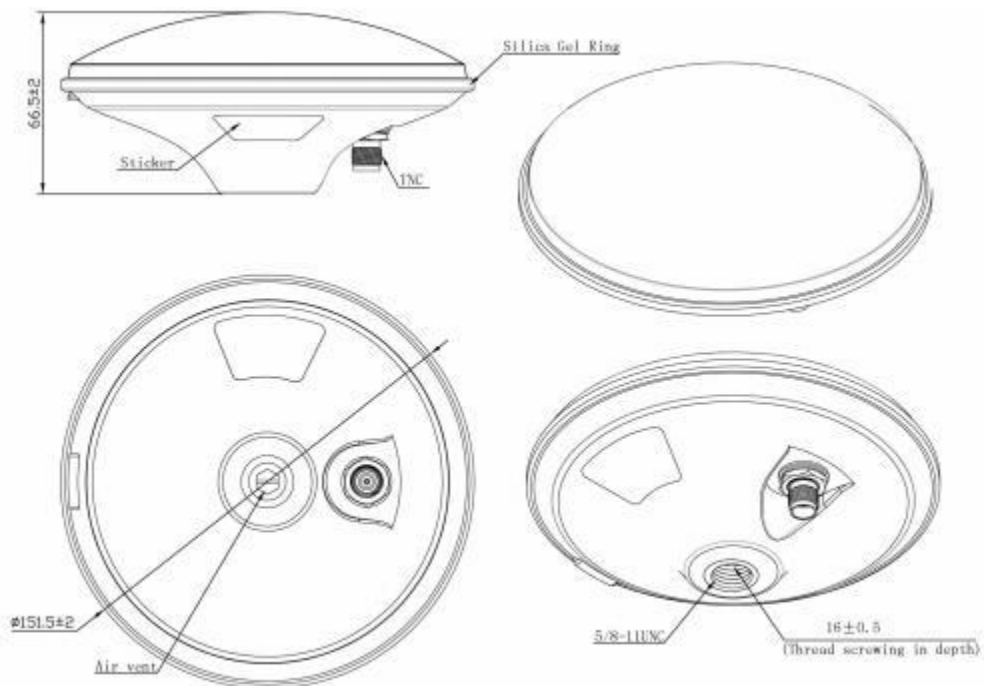


GNSS Surveying Antenna

GLA228i

Product outline and drawing



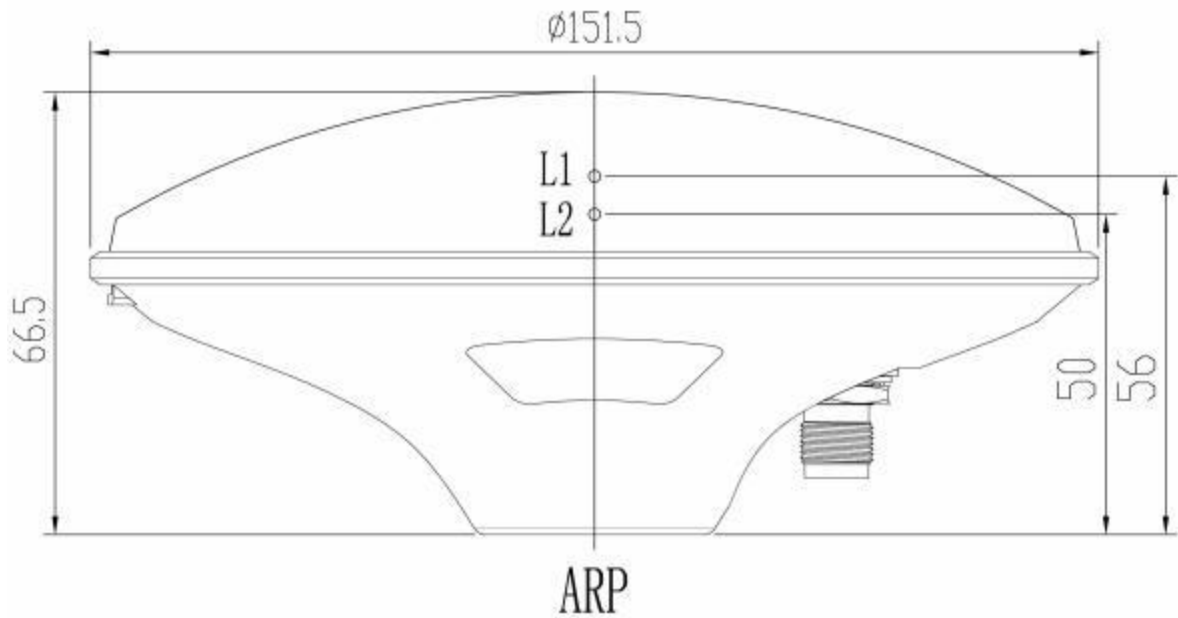
Unit:mm

GLOBAL EAST ASIA(HongKong) TECHNOLOGY CO.,LTD

Specifications

Item	Specifications	
Antenna	Frequency	GPS L1/L2/L5 GLONASS G1/G2/G3 COMPASS B1/B2/B3 Galileo E1/L1/E2/E5a/E5b/E6
	Polarization	RHCP
	Axial Ratio	$\leq 3\text{dB}$
	V.S.W.R	≤ 1.5
	Peak Gain	$\geq 5\text{dBi}$
	Impedance	50Ω
	Phase Center Error	$\pm 2\text{mm}$
	Horizontal coverage angle	360°
LNA	Gain	$40\pm 2\text{dB}$
	Noise Figure	2.0dB
	Passband fluctuation	$\pm 2.0\text{dB}$
	Supply Voltage	$3\sim 12\text{V DC}$
	Current Consumption	$\leq 50\text{mA}$
	V.S.W.R	≤ 2.0
Mechanical	Connector	TNC female
	Radome Material	ASA
	Mounting Method	Screw
Environmental	Operating Temperature	$-40^\circ\text{C}\sim +85^\circ\text{C}$
	Relative Humidity	Up to 95%
	Ingress Protection	IP67 (exclude Air vent in screw hole)
	Environmentally Friendly	ROHS Compliant

Antenna Reference Point&Phase Center



Mechanical Offsets Units in “mm”