

GLOBAL EAST ASIA TECHNOLOGY CO.,LTD

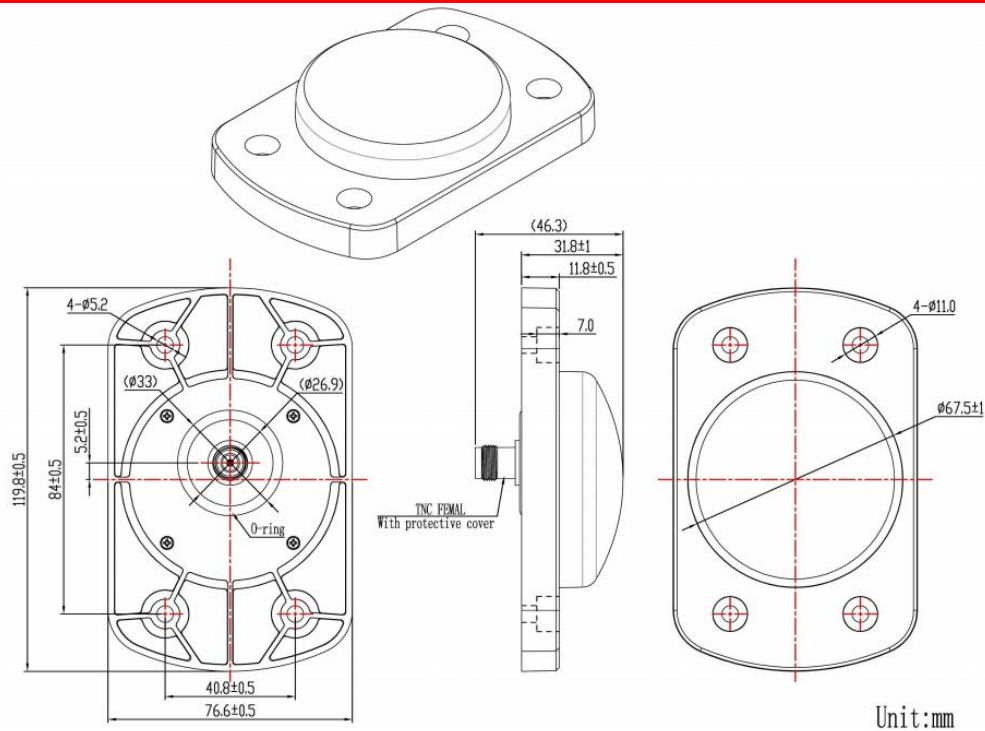
<https://www.global-antenna.com>

GNSS Surveying Antenna

P/N: GL234D



DIMENSIONS



Add: Room 816-818, Block B,BLDG 18, University Science Park(East), Zhengzhou City,P.R.Henan,China. Zip Code:450051

Tel: 86-371-60911368 Email: info@global-antenna.com

SPECIFICATIONS

Item		Specifications
GNSS Antenna	Frequency	GPS L1/L2 GLONASS G1/G2 COMPASS B1/B2/B3 Galileo E1/L1/E2/E5b/E6
	Polarization	RHCP
	Axial Ratio	$\leq 3\text{dB}$
	V.S.W.R	≤ 2.0
	Peak Gain	$\geq 3\text{dBi}$
	Impedance	50Ω
	Horizontal coverage angle	360°
	Vertical coverage angle	$5^\circ \sim 90^\circ$
GNSS Antenna LNA	Gain	B1/L1/G1/E1/E2: $40 \pm 2\text{dB}$ B2/L2/G2/B3/E5b/E6: $42 \pm 2\text{dB}$
	Noise Figure	$\leq 1.5\text{dB}$
	Passband fluctuation	$\pm 1.5\text{dB}$
	Supply Voltage	$3.3 \sim 12\text{V DC}$
	Current Consumption	$\leq 50\text{mA}$
	V.S.W.R	≤ 2.0
Mechanical	Connector	TNC female
	Weight	$\approx 150\text{g}$

Add: Room 816-818, Block B,BLDG 18, University Science Park(East), Zhengzhou City,P.R.Henan,China. Zip Code:450051

Tel: 86-371-60911368 **Email:** info@global-antenna.com

	Dimensions	120*77*32mm
	Mounting Method	Screw
Environmental	Operating Temperature	-40°C~+85°C
	Storage Temperature	-40°C~+85°C
	Relative Humidity	Up to 95%
	Environmentally Friendly	ROHS Compliant
	Waterproof	IP67

Add: Room 816-818, Block B,BLDG 18, University Science Park(East), Zhengzhou City,P.R.Henan,China. Zip Code:450051

Tel: 86-371-60911368 **Email:** info@global-antenna.com