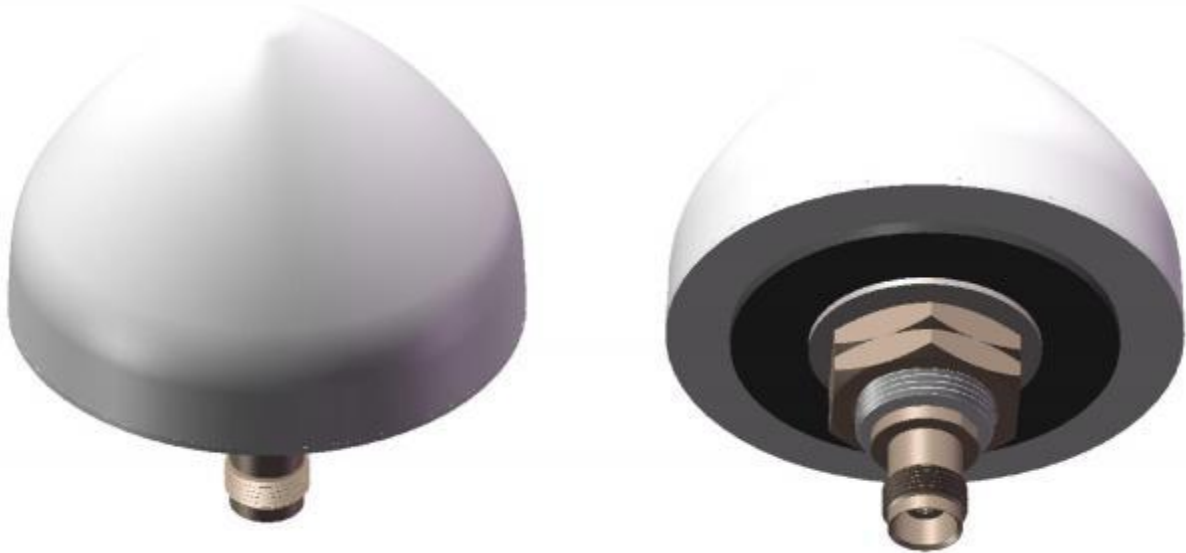
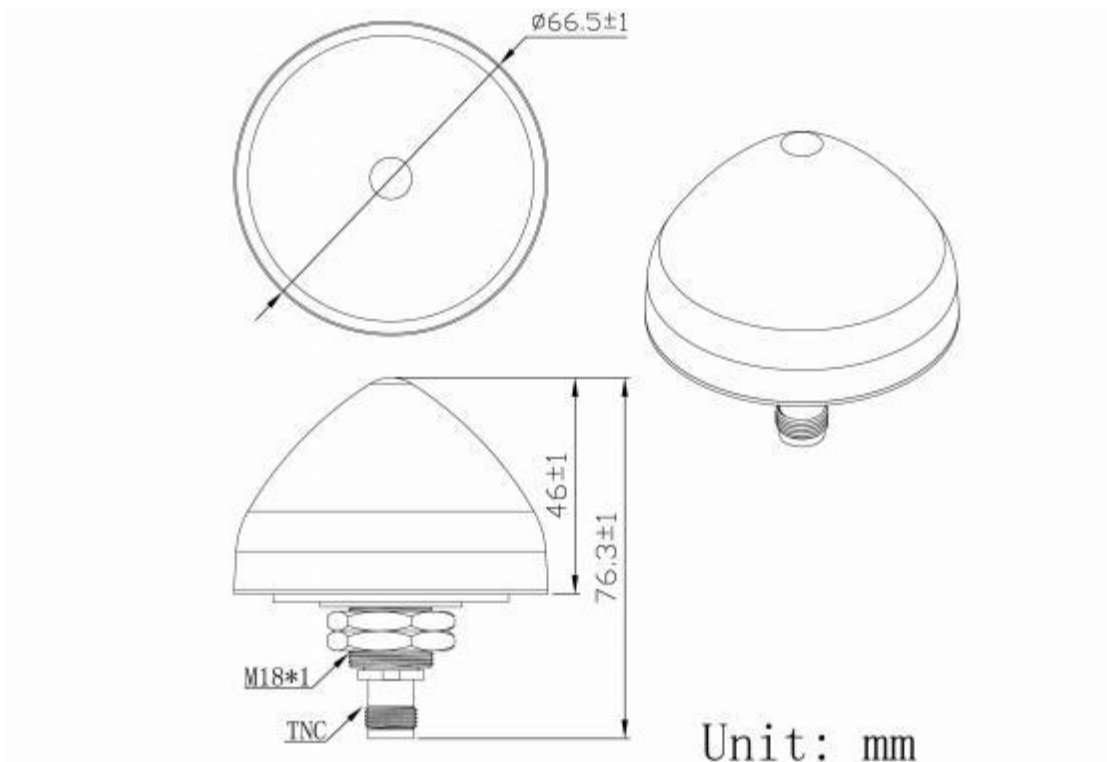


GNSS Active Antenna GL225S



DIMENSIONS



Add: Room 816-818, Block B,BLDG 18, University Science Park(East), Zhengzhou City,P.R.Henan,China. Zip Code:450051

Tel: 86-371-60911368 **Email:** info@global-antenna.com

SPECIFICATIONS

Item		Specifications
Antenna	Frequency Range	1559.052~1616MHz 1205.094~1278.75MHz
	Polarization	RHCP
	Axial Ratio	≤3dB
	V.S.W.R	≤2.0
	Peak Gain	≥3dBi
	Impedance	50 Ω
	Horizontal Coverage Angle	360°
	Vertical Coverage Angle	5°~90°
LNA	Gain	B1/L1/G1/E1/E2: 40±2dB B2/L2/G2/B3/E5b/E6: 42±2dB
	Noise Figure	≤1.5dB
	Passband Fluctuation	±1.5dB
	Supply Voltage	3.3~12V DC
	Current Consumption	≤50mA
	V.S.W.R	≤2.0
Mechanical	Connector	TNC-K
	Dimension	Φ66.5mm
	Weight	≈150g
Environmental	Operating Temperature	-40℃~+85℃
	Storage temperature	-40℃~+85℃
	Relative Humidity	Up to 95% (Non condensing)
	Ingress Protection	IP67

Add: Room 816-818, Block B,BLDG 18, University Science Park(East), Zhengzhou City,P.R.Henan,China. Zip Code:450051

Tel: 86-371-60911368 **Email:** info@global-antenna.com