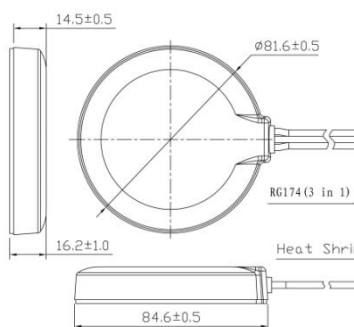
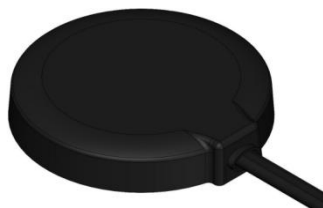




GL-DY305



Electrical Index			
Product Name	GPSGNSS+LTE+WIFI Antenna		
Product Number	GL-DY305		
Frequency Range-MHz	1575.42-1610	806-960/1710-2690	2400-2483.5
Band Width-MHz	35	154/980	83.5
V.S.W.R	≤1.5	≤2.0	
Gain-dBi	2.0dBic(Zenith)	2.0	3.0
LNA Gain-dBi	28±2	--	--
Polarization	RHCP	Linear	Linear
Supply Voltage	2.2-5V DC		
Current Consumption	5-15mA		
Input Impedance-Ω	50		
Mechanical Index			
Connector	SMA male		
Antenna Dimension-mm	φ 81.6×14.5		
Installation way	Magnetic and adhesive		
Ingress Protection	IP65-IP67(exclude cable outlet)		
Vibration	10 to 55MHz with 1.5mm amplitude 2 hours		
Relative Humidity	Up to 95%		

Add: Room 816-818, Block B,BLDG 18, University Science Park(East), Zhengzhou City,P.R.Henan,China.Zip Code: 450051

Tel: 86-371-60911368 Email: info@global-antenna.com Web: <https://www.global-antenna.com>

GLOBAL EAST ASIA TECHNOLOGY CO.,LIMITED

Environmentally Friendly	ROHS Compliant
Temperature-°C	-40-+85